



Televés reserves the right to modify the product

PicoKom power supply unit 24 V - 130 mA, 2 outputs

Domestic 24 V-power supply (130 mA) that powers equipment through the input coaxial cable while allowing the transmission of the TV signal. Included in the installation to power either mast amplifiers or a BOSS system. Furthermore, it is equipped with two outputs.

Ref.5795	Box	
	Art.Nr	PSU242PICO
	EAN13	8424450140925

Highlights

- High-performance switched-mode power supply: saves up to 40% power consumption
- Very low power consumption
- Pleasing design and ultra-small size: can be installed in 100 mm x 100 mm connection boxes
- EasyF connection system
- Fully automated manufacturing, subject to the most stringent quality controls

Main features

- Can be wall-mounted using screws
- Through losses may vary depending on whether 1 or 2 outputs are used

Discover

EasyF connection system: simplicity and savings

EasyF is an innovative connection concept where the inner conductor of the coaxial cable is directly inserted in the device, thus improving connection reliability. Thanks to the absence of F connectors, the chassis can be reduced and the connection of two cables secured with a single screw.

- Real time savings: speeding the installation is possible without the need for coaxial cable termination.

Furthermore, there is no need for screwing the connectors on the device, which is sometimes difficult when there is little room

- Connection reliability: the clamp holding the cables prevents the coaxial cable to come off
- Cost savings: no additional connectors are required (neither F nor IEC)
- Space optimization: inputs and outputs are always on the same side of the device to prevent coaxial cables from bending, and to make working inside cabinets and register boxes easier
- Very easy three-step mounting: only screwing and unscrewing the covers is required to connect both cables:

1. Unscrew the device's cover to access the connection

2. Insert the previously stripped coaxial cables

3. Close the cover and screw to ensure connection

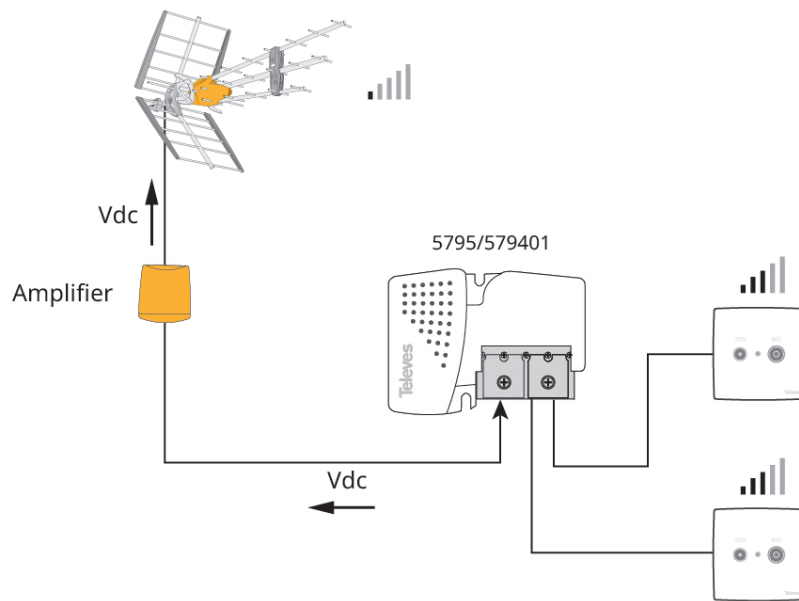
Learn more about EasyF system reliability

With EasyF, the connection between the coaxial cable and the device is carried out using an automated system for contact insertion of the inner conductor, without any soldering.

- Always as new: the device's operating life increases when the factor of solder wearing out with time is removed
- Failure rate reduction: usually produced as a result of cold soldering joints
- Electromagnetic behaviour optimization: for high frequencies
- Our commitment with environment is reinforced: pollution caused by the welding process is eliminated and production power consumption is reduced

Application example

(Click to see the picture)



Technical specifications

Plug type		EU
Number of outputs		2
Frequency range	MHz	5 ... 862
Insertion losses: 1 output	dB	1.5
Insertion losses: 2 outputs	dB	4
Output voltage	Vdc	24
Max. output current	mA	130
Input voltage	Vac	220 ... 230
Mains frequency		50 Hz / 60 Hz
Max. current	mA	35
Max. power consumption	W	4.4
Operating temperature	°C	-5 ... 45
Protection index		20