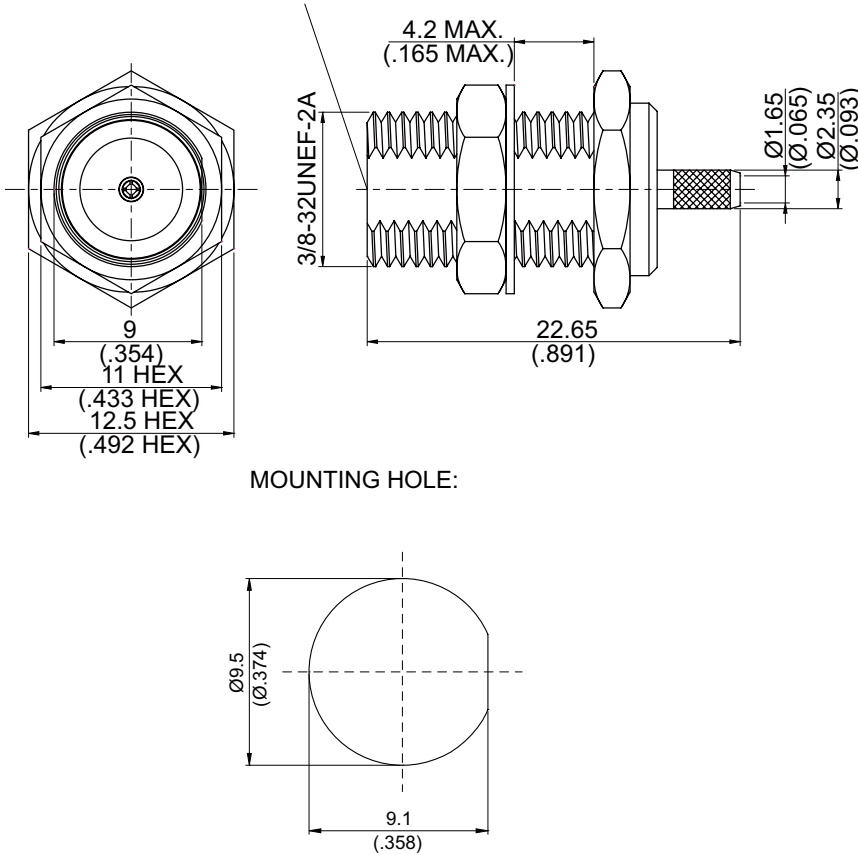


F8100-0179	F Jack Crimp For Bulkhead	75Ω																								
 <p style="text-align: center;">MOUNTING HOLE:</p>																										
<table border="1" style="width: 100%; border-collapse: collapse;"> <thead> <tr> <th style="width: 15%;">Parts</th> <th style="width: 15%;">Material</th> <th style="width: 70%;">Plating (Micro-inch)</th> </tr> </thead> <tbody> <tr> <td>Hex Nut</td> <td>Brass</td> <td>Nickel 200 Over Copper 50</td> </tr> <tr> <td>Lock Washer</td> <td>Brass</td> <td>Nickel 200 Over Copper 50</td> </tr> <tr> <td>Barrel</td> <td>Brass</td> <td>Nickel 200 Over Copper 50</td> </tr> <tr> <td>Contact Pin</td> <td>Phosphor Bronze</td> <td>Gold 3 over Nickel 50 over Copper 50</td> </tr> <tr> <td>Ferrule</td> <td>Brass</td> <td>Nickel 200 Over Copper 50</td> </tr> <tr> <td>Body</td> <td>Brass</td> <td>Nickel 200 Over Copper 50</td> </tr> <tr> <td>Insulator</td> <td>P.P.</td> <td></td> </tr> </tbody> </table>			Parts	Material	Plating (Micro-inch)	Hex Nut	Brass	Nickel 200 Over Copper 50	Lock Washer	Brass	Nickel 200 Over Copper 50	Barrel	Brass	Nickel 200 Over Copper 50	Contact Pin	Phosphor Bronze	Gold 3 over Nickel 50 over Copper 50	Ferrule	Brass	Nickel 200 Over Copper 50	Body	Brass	Nickel 200 Over Copper 50	Insulator	P.P.	
Parts	Material	Plating (Micro-inch)																								
Hex Nut	Brass	Nickel 200 Over Copper 50																								
Lock Washer	Brass	Nickel 200 Over Copper 50																								
Barrel	Brass	Nickel 200 Over Copper 50																								
Contact Pin	Phosphor Bronze	Gold 3 over Nickel 50 over Copper 50																								
Ferrule	Brass	Nickel 200 Over Copper 50																								
Body	Brass	Nickel 200 Over Copper 50																								
Insulator	P.P.																									
<p>Weight: Suitable Cables: RG179, RG179-FEP</p>																										

This part number complies with RoHS.

Notice: JYEBAO reserves the right to make modifications deemed appropriate.

JYE BAO CO., LTD.

CABLE ASSEMBLY INSTRUCTION

F8100-0179	DATE	2017/12/10	REV	—
------------	------	------------	-----	---

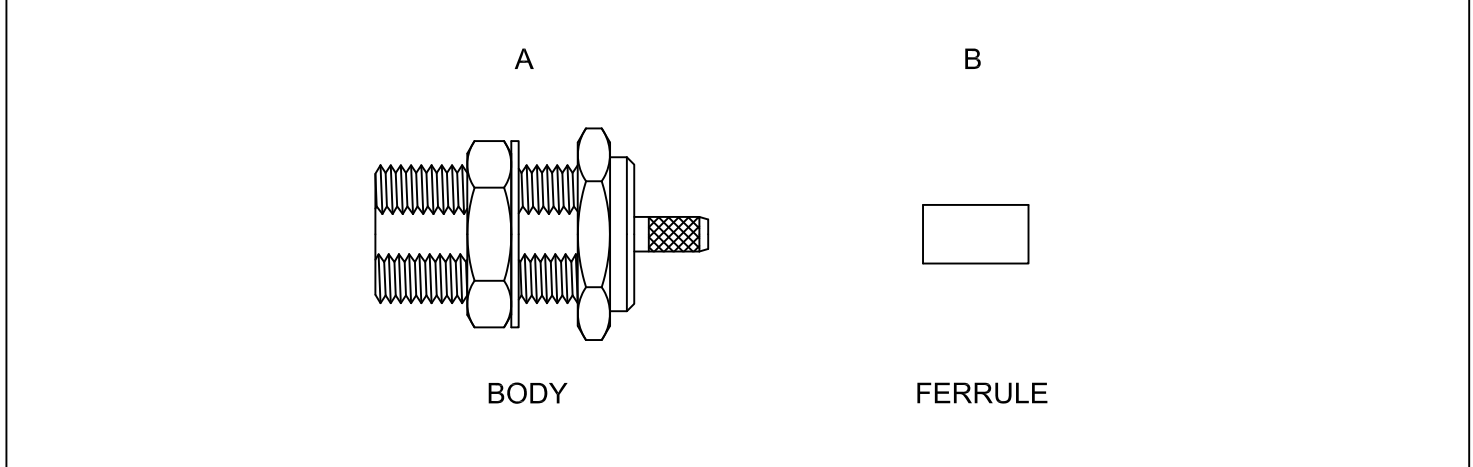
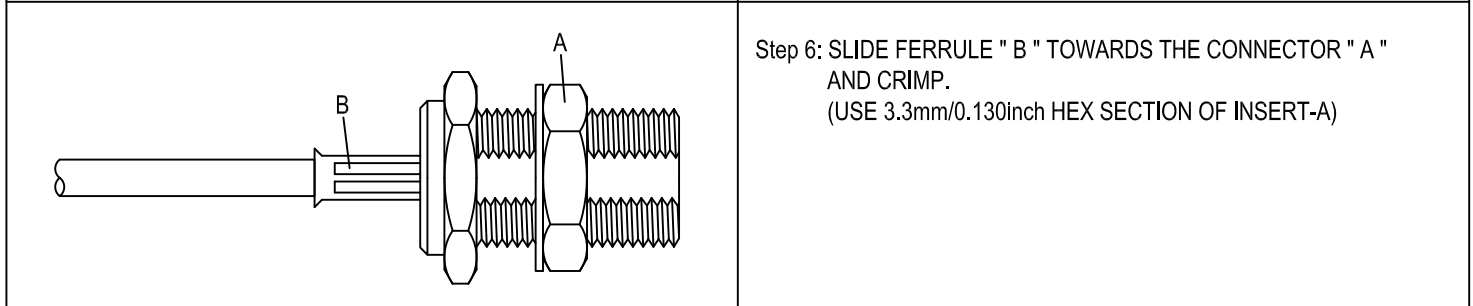
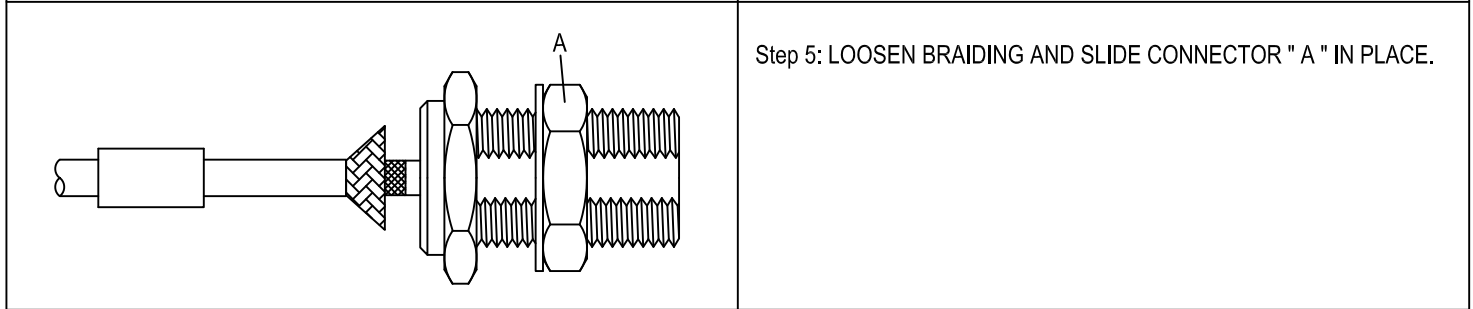
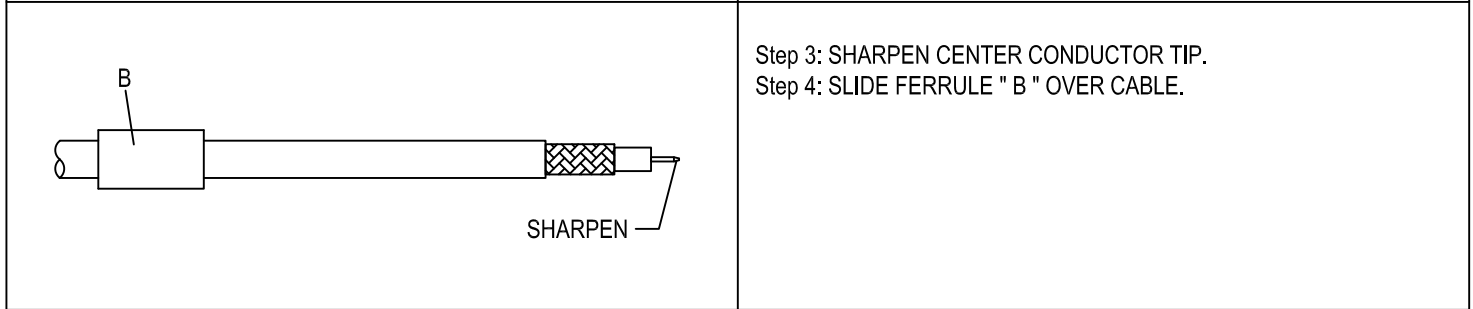
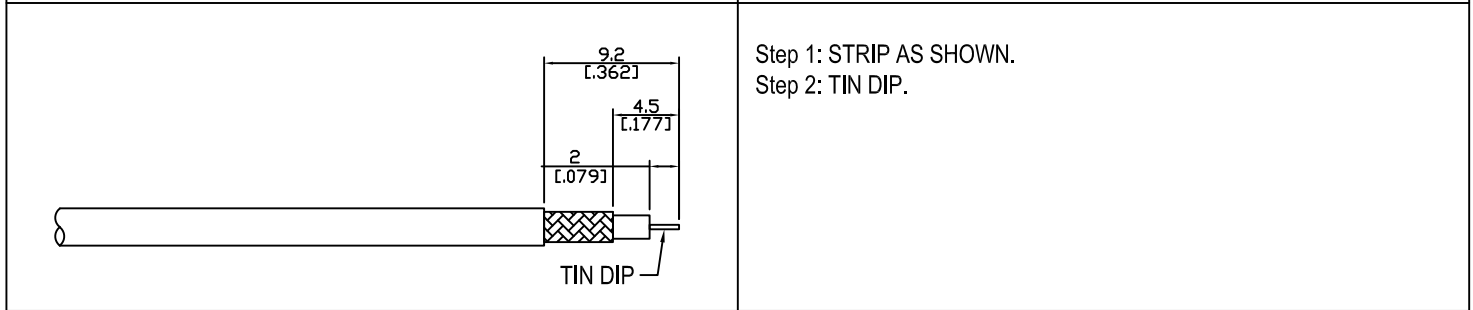


DIAGRAM	ASSEMBLY INSTRUCTION
---------	----------------------



This part number complies with RoHS.

Notice: JYEBAO reserves the right to make modifications deemed appropriate.

APPROVED	CHECKED	DRAWING
		<i>Albert</i>