
INTERNET OVER COAX

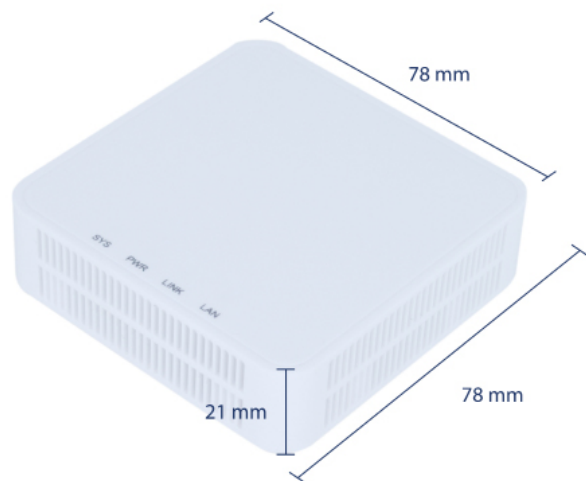
IPC-BMH



- ✓ Master device for indoor use
- ✓ IP transmission over coaxial cable
- ✓ Frequency 7,5-65 MHz
- ✓ 600 Mbps speed (physical layer)
- ✓ Up to 6 slave-devices IPC-S / IPC-S2 / IPC AC
- ✓ Plug&Play
- ✓ 1 RJ45 Port
- ✓ With IPTV management for indoor internet extension



EKSELANS BY ITS



IPC BMH



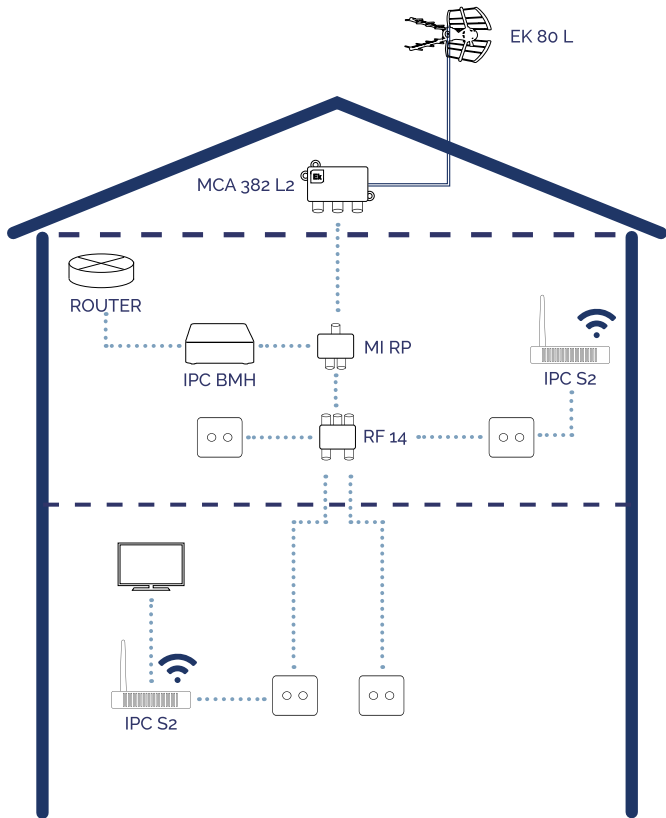
TABLA TÉCNICA

REFERENCE	IPC BMH
Code	250015
Operating characteristics	
RF parameters	
Frequency	7,5 - 65 MHz
Output level	95 dBuV
Minimum input level	45 dBuV
Return loss	> 15 dB
Transmission speed	
Physical layer speed	600 Mbps
Physical layer MAC	300 Mbps
Modulation	OFDM-2690 portadoras 4096/1024/256/64/16/8-QAM, QPSK, BPSK, ROBO
Operating mode	TDMA / CSMA
Encryption	AES-128
Standards	
EOC Standard	IEEE P1901 HomePlug AV
Ethernet protocols	IEEE802.3, IEEE802.3x, IEEE802.3u, IEEE802.1P, IEEE802.1Q
RF Connection	1 RF OUT (conector F)
Ethernet Interface	1 port Ethernet (RJ45)
Alimentation	12 Vdc
Consumption	< 5 W



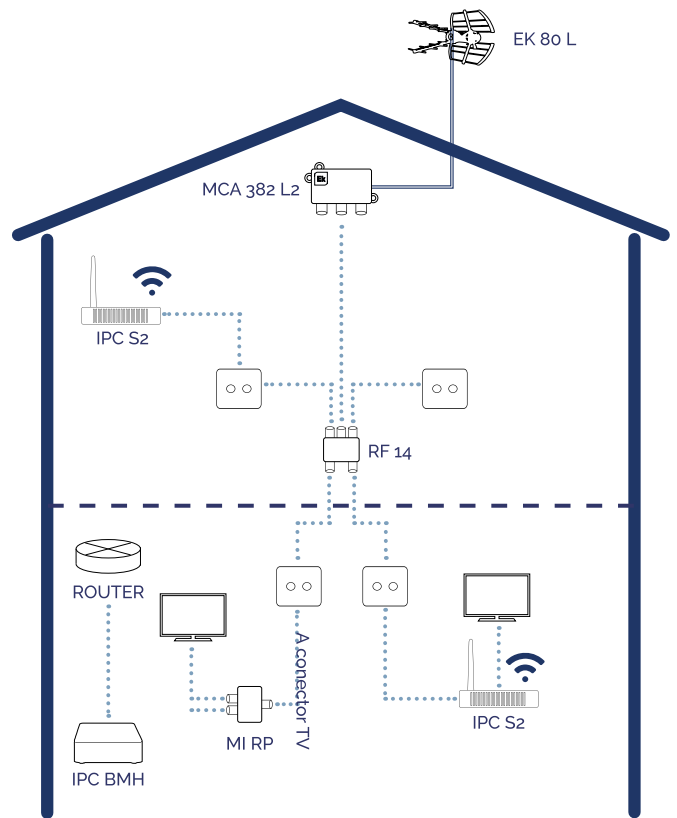
INSTALLATION DIAGRAM 1

SINGLE-FAMILY HOME



INSTALLATION DIAGRAM 2

SINGLE-FAMILY HOME



INSTALLATION DIAGRAM 3

APARTMENT

ICT INSTALLATION

